

Micrometer Adjustable Torque Wrench – QLE.2

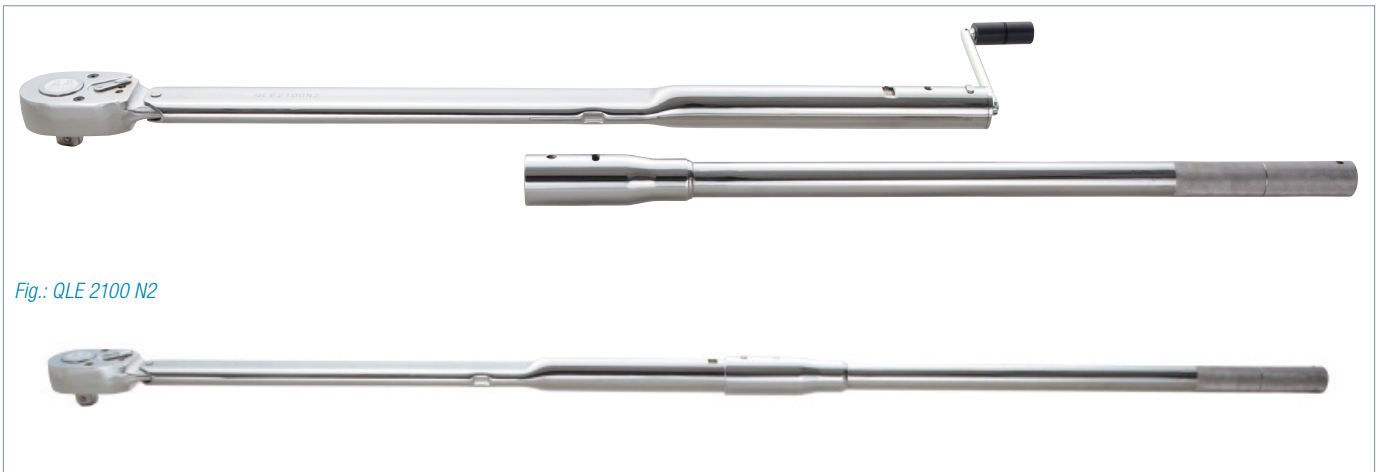


Fig.: QLE 2100 N2

Ratcheting Clicker Wrench for Big Moments

Adjustable type wrench, ideal for variety of tightening torque applications up to 2800 Nm.

The ratchet head has 24 teeth with a 15 degree operating range, allowing for use in space-limited working conditions.

Torque setting is easy to adjust by knob and scale. A clear "click" is sensed and heard to signal tightening completion upon reaching the set torque.

With QLE550N2 to QLE2800N2 models, the "never-lost" built-in torque adjustment handle makes torque changes easy even without a special-purpose tool.

- ▶ Accuracy $\pm 3\%$ FSD.
- ▶ Reversible ratchet head with 24 teeth and 15° operating range
- ▶ Easy torque adjustment by means of built-in handle.
- ▶ Compliant with calibration procedures of DIN EN ISO 6789, type II, class A.
- ▶ Traceable calibration certificate (JCSS) included.*

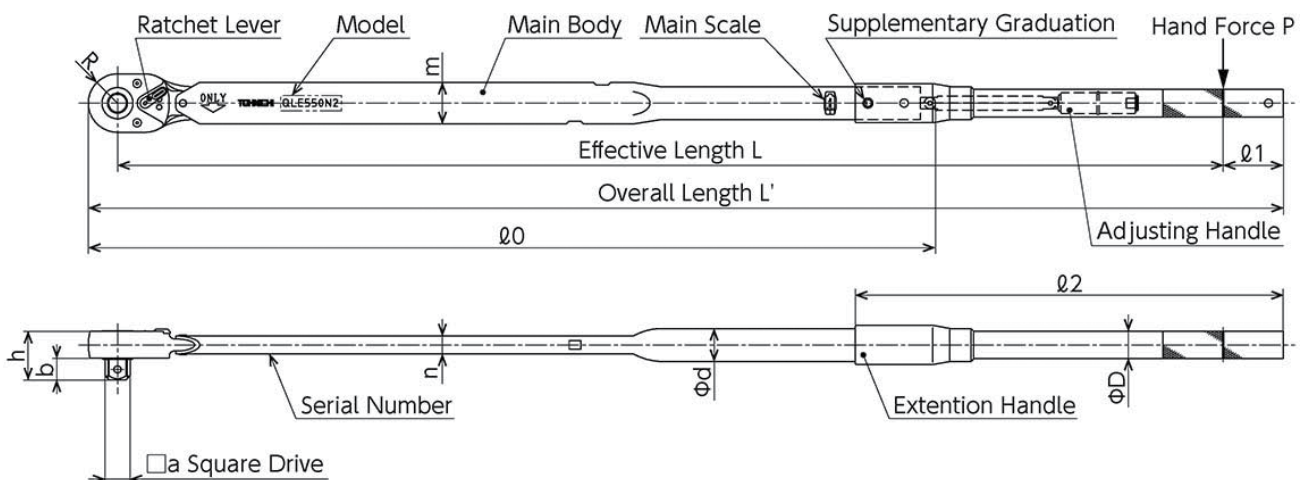


Easy torque adjustment by means of built-in handle.

Options

INFO

- Imperial (lbf-ft) or metric (kgf-m) units scale available on request.*
- Other models and alternatives available.



QLE.2 (S.I.)

Model	Part No.	Torque Range N-m	Graduation N-m	Sq.Drv Zoll	Weight kg	Dimensions [mm]			
						L	L'	D	R
QLE550N2	T212050	100 - 550	5	3/4	4.3	1100	1189	27.2	29
QLE750N2	T212053	150 - 750	5	3/4	5.6	1250	1342	30	32
QLE1000N2	T212056	200 - 1000	5	1	7.7	1400	1515	30	35
QLE1400N2	T212059	300 - 1400	10	1	11.1	1650	1787	40	37
QLE2100N2	T212062	500 - 2100	10	1	14.6	1750	1899	40	44
QLE2800N2	T212065	800 - 2800	20	1.5	23.7	2240	2405	45	50

