

The Eltex ground clamps of series 70 are designed for making and - in connection with Eltex TUE30 Terra-Control and **TERRALIGHT** ground monitoring systems - for monitoring ground connections. The appliances are used in areas where potentially explosive materials and substances are loaded, discharged or refilled. Any developing static charges are safely and effectively eliminated and led to ground.

The Eltex cable rewinders of series 601KR ensure that the ground cable is safely reeled back after use, protecting it from damage and dirt.

The cable rewinders 601KR/AW and 601KR/DW are made of impact-proof aluminum and are mounted with an assembly bracket.

The cable rewriter 601KR/KW is encased in a robust and sturdy plastic housing. The cable outlet is fitted with four cable guide rollers for easy cable guidance.

All cable rewinders are designed for wall mounting and may be used in zones with potentially explosive atmospheres in connection with the Eltex ground monitoring system.

Technical Information



F0001Y

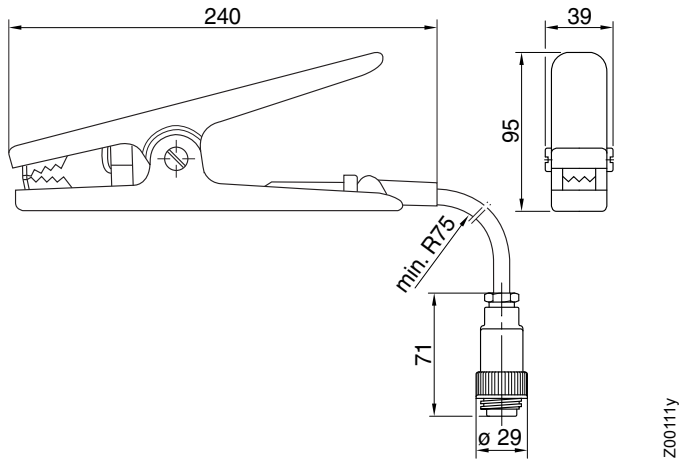
Ground Clamps Series 70 Cable Rewinder Series 601KR

for ground monitoring system Terra-Control TUE30
and passive grounding

TI-en-4007-1912



Ground clamp types 70AG, 70BG, 70SG



Type 70AG for active grounding, for use with the components of the TUE30 Terra-Control and TERRALIGHT ground monitoring systems
Type 70BG for active BIG BAG grounding, for use with the components of the TUE30 Terra-Control ground monitoring system

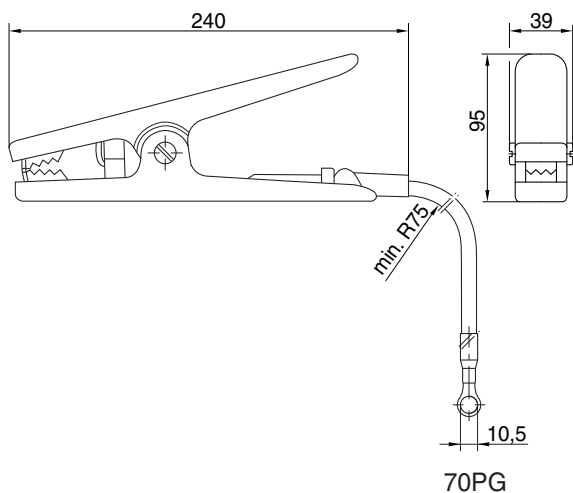
Clamp material	Stainless steel
Operating ambient temperature	-40...+70°C (-40...+158°F)
Ground cable (color: light blue)	oil and gasoline resistant control lead, 3 x 1.5 mm ² temperature range -40... +90°C (-40...+194°F)
Dimensions	connected 4-pin plug IP67 see figure
Weight	approx. 0.6 kg
Approval / Identification marking	ATEX: DMT 00 ATEX E 068 X II 2D Ex ia IIIC T135°C Db, II 2G Ex ia IIC T6 Gb IECEx: BVS 16.0016 Ex ia IIIC T135°C Db, Ex ia IIC T6 Gb

Type 70SG for passive grounding for use without ground monitoring system

Clamp material	Stainless steel
Operating ambient temperature	-40...+70°C (-40...+158°F)
Ground cable (color: orange)	oil and gasoline resistant control lead, H07BQ-F conductor cross section 3 x 1.5 mm ² temperature range -40...+90 °C (-40...+194 °F) with fixed wire end ferrule
Dimensions	see figure
Weight	approx. 0.6 kg
Clamping width	35 mm
Clamping force	140 N ±20 %
Earth leakage resistance	235 kOhm ±5 %
Max. discharge voltage	120 V
Chemical resistance	oil and gasoline
Identification marking	II 1G IIB T6 Ga, II 2G IIC T6 Gb, II 1D IIIC T80°C Da
Approval	EPS 19 ATEX 1 184 X



**Ground clamp type 70PG for passive grounding
for use without ground monitoring system**

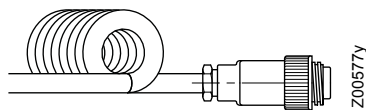


Z00112y



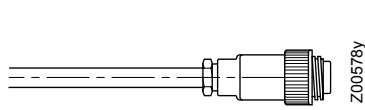
Clamp material	stainless steel
Operating ambient temperature	-40...+70°C (-40...+158°F)
Ground cable (color: orange)	oil and gasoline resistant control lead, H07BQ-F conductor cross section 3 x 1.5 mm ² temperature range -40...+90 °C (-40...+194 °F) with fixed cable lug
Dimensions	see figure
Weight	approx. 0.6 kg
Clamping width	35 mm
Clamping force	140 N ±20 %
Earth leakage resistance	235 kOhm ±5 %
Chemical resistance	oil and gasoline
Identification marking	Ex II 1G IIB T6 Ga, II 2G IIC T6 Gb, II 1D IIIC T80°C Da
Approval	EPS 19 ATEX 1 184 X

Helix ground cable



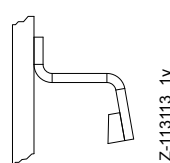
Z00577y

Ground cable

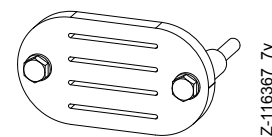


Z00578y

Clamp holder



Z-113113_1y



Z-116367_7y

wall assembly

Cable for active grounding:

KG/BSA050: helix ground cable, cable color blue,
extensible 1 to 5 m

KG/BNA___: ground cable, cable color blue
5 to 95 m in steps of 5 meters (specify length)

Cable for passive grounding:

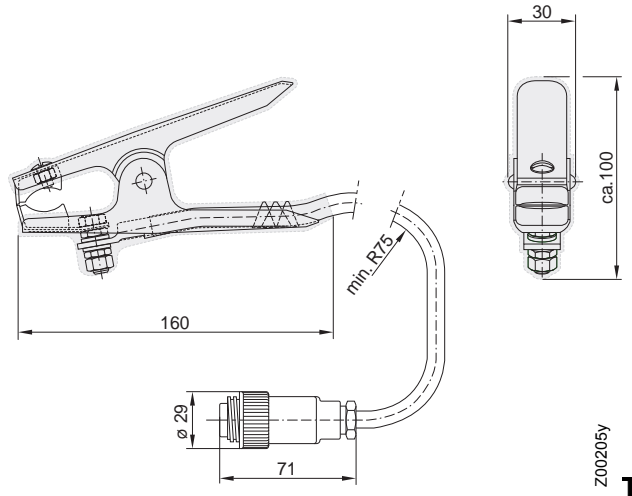
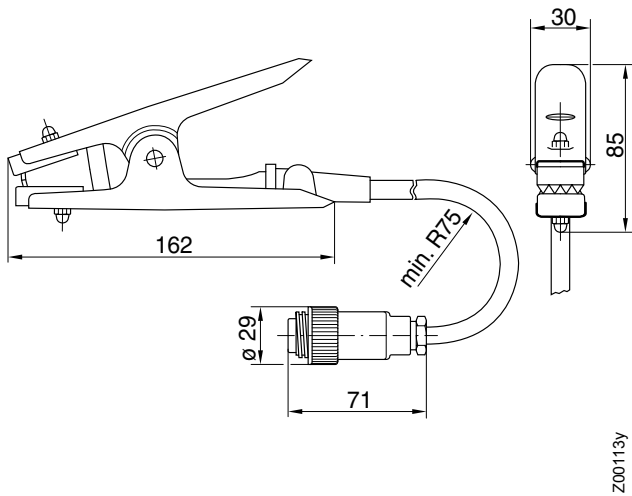
KG/GSA050: helix ground cable, cable color orange
extensible 1 to 5 m

KG/GNA___: ground cable, cable color orange
5 to 95 m in steps of 5 meters (specify length)

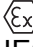
Ground clamp type 70AK, type 70HK

Type 70AK


Type 70HK



Type 70AK for active grounding for use with the components of the TUE30 Terra-Control and TERRALIGHT ground monitoring systems

Clamp material	stainless steel
Operating ambient temperature	-40...+70°C (-40...+158°F)
Ground cable (color: light blue)	oil and gasoline resistant control lead, 3 x 1.5 mm ² temperature range -40...+90°C (-40...+194°F) connected 4-pin plug IP67
Dimensions	see figure
Weight	approx. 0.3 kg
Approval / Identification marking	ATEX: DMT 00 ATEX E 068 X  II 2D Ex ia IIIC T135°C Db, II 2G Ex ia IIC T6 Gb IECEx: BVS 16.0016X Ex ia IIIC T135°C Db, Ex ia IIC T6 Gb

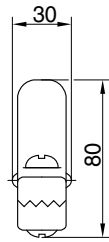
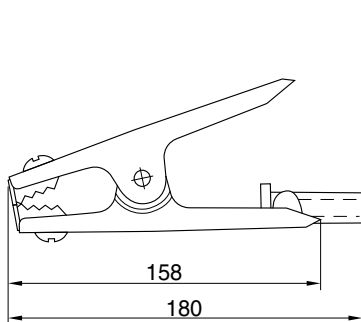
**Type 70HK for active BIG BAG
for use with the components of the TUE30 Terra-Control ground monitoring system**

Clamp material	galvanized sheet steel, plastic handle
Operating ambient temperature	-40...+70°C (-40...+158°F)
Ground cable (color: light blue)	oil and gasoline resistant control lead, 3 x 1.5 mm ² temperature range -40...+90°C (-40...+194°F) connected 4-pin plug IP67
Dimensions	see figure
Weight	approx. 0.25 kg
Approval / Identification marking	ATEX: DMT 00 ATEX E 068 X  II 2D Ex ia IIIC T135°C Db, II 2G Ex ia IIC T6 Gb IECEx: BVS 16.0016 Ex ia IIIC T135°C Db, Ex ia IIC T6 Gb



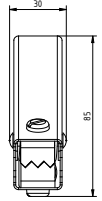
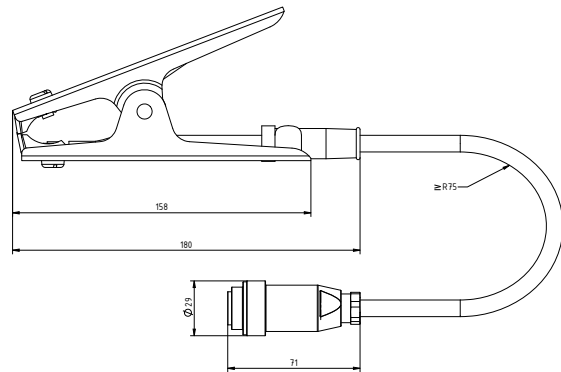
Ground clamp type 70OK / type 70PK

Type 70OK



Z00115y

Type 70PK



Z-114761y

Type 70OK for passive grounding for use without ground monitoring system

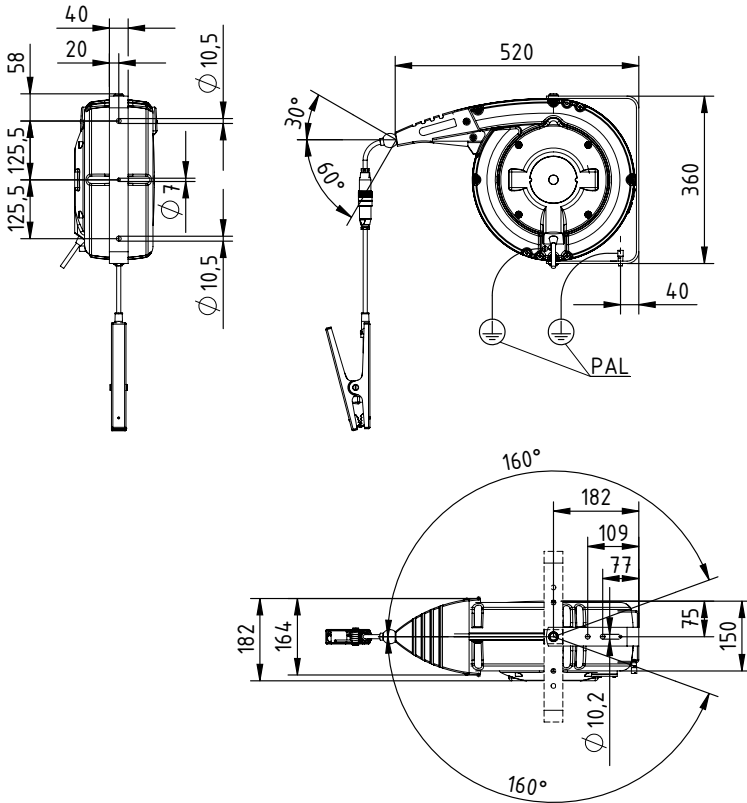
Clamp material	stainless steel
Operating ambient temperature	-40...+70°C (-40...+158°F)
Ground cable	without cable min. conductor cross section. 4 mm ² ; max. 10 mm ²
Tightening torque	terminal screw for the cable lug: 9 Nm
Dimensions	see figure
Weight	approx. 0.22 kg
Clamping width	35 mm
Clamping force	100 N ±20 %
Earth leakage resistance	< 1 Ohm
Identification marking	⊕ II 1G IIB T6 Ga, II 2G IIC T6 Gb, II 1D IIIC T80°C Da
Approval	EPS 19 ATEX 1 184 X

Type 70PK for passive grounding for use without ground monitoring system

Clamp material	stainless steel
Operating ambient temperature	-40...+70°C (-40...+158°F)
Ground cable (color: orange)	oil and gasoline resistant control lead, 3 x 1.5 mm ² temperature range -40...+90°C (-40...+194°F) connected 4-pin plug IP67
Dimensions	see figure
Weight	approx. 0.29 kg
Clamping width	35 mm
Clamping force	100 N ±20 %
Earth leakage resistance	< 1 Ohm
Identification marking	⊕ II 1G IIB T6 Ga, II 2G IIC T6 Gb, II 1D IIIC T80°C Da
Approval	EPS 19 ATEX 1 184 X



Cable rewriter type 601KR/AW



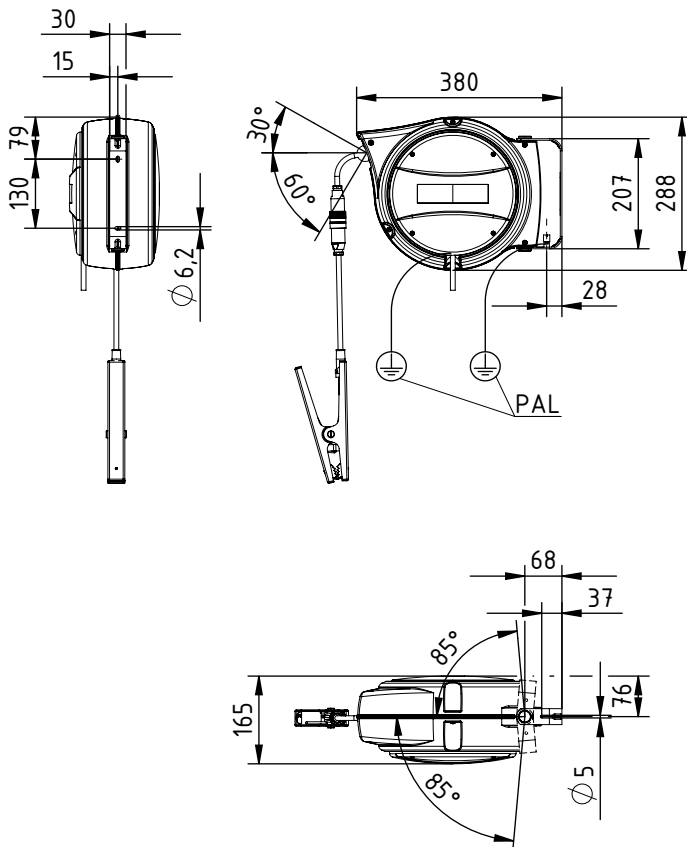
Z-114868y_1

Type 601KR/AW for active grounding for use with the components of the TUE30 Terra-Control and TERRALIGHT ground monitoring systems

Enclosure	ribbed and reinforced aluminum,
Rewind mechanism	protected cable inlet aperture with stopper
Protection class	automatic, stopping device, on-off function
Operating ambient temperature	IP43, EN 60529
Attachment	−40...+70°C (−40...+158°F)
Ground cable	wall assembly via assembly bracket
(cable color: light blue)	20m oil and gasoline resistant control lead, 3 x 1.5 mm ²
Connecting lead	temperature range −40...+90°C (−40...+194°F)
Dimensions	connected 4-pin socket IP67
Weight	2.5 m, connecting cable 3 x 1.5 mm ² (color: light blue)
Inductance	see figure
Capacitance	approx. 14 kg with 20 m ground cable
Approval / Identification marking	approx. 0.1 mH
	approx. 2.3 nF
	ATEX: DMT 00 ATEX E 068 X
	⊕ II 2D Ex ia IIIC T135°C Db, II 2G Ex ia IIC T6 Gb
	IECEX: BVS 16.0016
	Ex ia IIIC T135°C Db, Ex ia IIC T6 Gb



Cable rewriter type 601KR/DW / type 601KR/EW



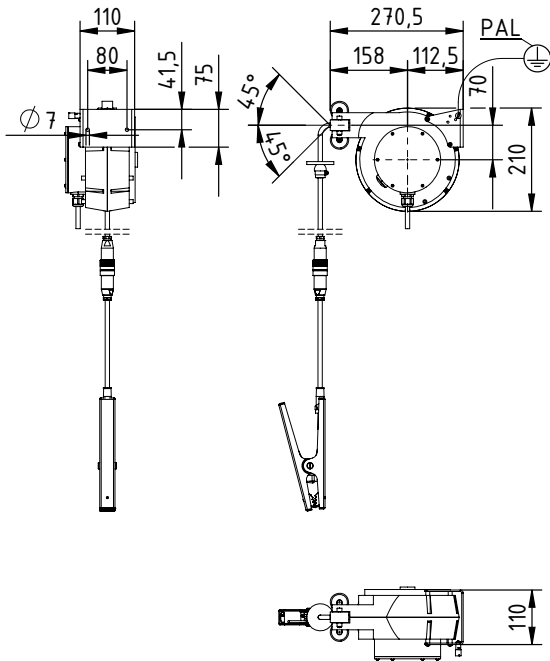
Z-114868y_2

Type 601KR/DW for active grounding (cable color: light blue) for use with the components of the TUE30 Terra-Control and TERRALIGHT ground monitoring systems
Type 601KR/EW for passive grounding (cable color: orange)
for use without the components of the TUE30 Terra-Control ground monitoring system

Enclosure	aluminium with rolls and stopper
Rewind mechanism	automatic, stopping device, on-off function
Protection class	IP42 according to EN 60529
Operating ambient temperature	-40...+70°C (-40...+158°F)
Attachment	wall assembly via assembly bracket
Ground cable	12m oil and gasoline resistant control lead, 3 x 1.5 mm ² temperature range -40...+90°C (-40...+194°F) connected 4-pin socket IP67
Connecting lead	2.5 m, connecting cable 3 x 1,5 mm ²
Dimensions	see figure
Weight	approx. 5.7 kg with 12 m ground cable
Inductance	approx. 0.07 mH
Capacitance	approx. 1.6 nF
Approval / Identification marking	601KR/DW: ATEX: DMT 00 ATEX E 068 X ⚡ II 2D Ex ia IIIC T135°C Db, II 2G Ex ia IIC T6 Gb IECEx: BVS 16.0016X; Ex ia IIIC T135°C Db, Ex ia IIC T6 Gb 601KR/EW: PTB: 05ATEXD121; ⚡ II 2D c IIIC T80°C, II 2G c IIC T6




Cable rewriter type 601KR/KW



Z-114868y_3



Type 601KR/KW for active grounding (cable color: light blue) for use with the components of the TUE30 Terra-Control and TERRALIGHT ground monitoring systems

Enclosure	plastic, cable inlet aperture with rollers
Protection class	IP42 according to EN 60529
Operating ambient temperature	-20...+70°C (-4...+158°F)
Attachment	wall assembly via metal assembly plate
Ground cable	9 m oil and gasoline resistant control lead, 3 x 1.5 mm ² , temperature range -40...+90°C (-40...+194°F), connected 4-pin socket IP67
Connecting lead	2.5 m, connecting cable 3 x 1.5 mm ²
Dimensions	see figure
Weight	approx. 7 kg with 9 m ground cable
Inductance	approx. 0.05 mH
Capacitance	approx. 1.20 nF
Approval / Identification marking	ATEX: DMT 00 ATEX E 068 X  II 2D Ex ia IIIC T135°C Db, II 2G Ex ia IIC T6 Gb IECEx: BVS 16.001 Ex ia IIIC T135°C Db, Ex ia IIC T6 Gb

The current approvals with their supplements can be found at: <http://service.eltex.de>.



Eltex-Elektrostatik-Gesellschaft mbH
 Blauenstraße 67-69
 79576 Weil am Rhein | Germany
 Phone +49 (0) 76217905-422
 eMail info@eltex.de
 Internet www.eltex.de

