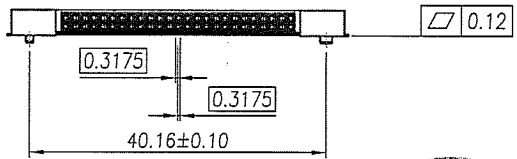
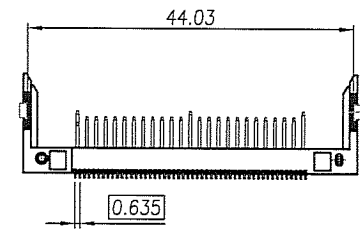
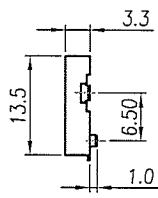
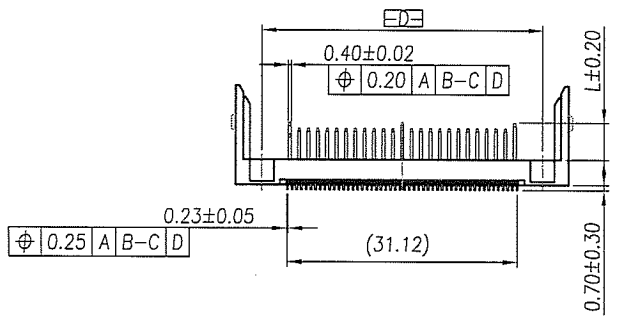
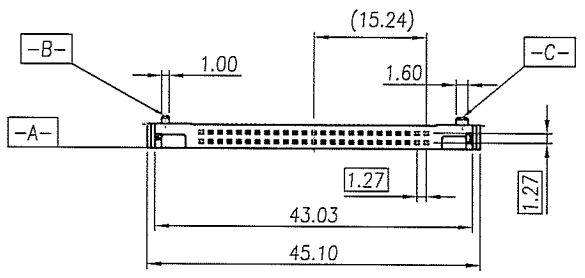


1 2 3 4 5 6 7 8

Pin Type	DIM L	Pin Type	REV	MODIFICATION	DATE	DRAW
Detect	3.5 mm	25,26	B	EN-03-1019	10/30/2003	TONY
General	4.25 mm	All Other Pins	C	EN-06-1212	95/12/20	TERENCE
Power	5.0 mm	1,13,38,50				

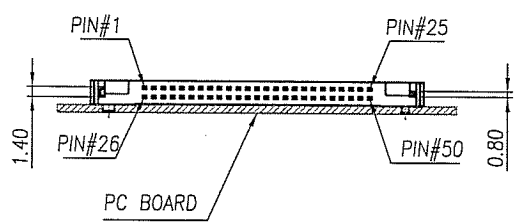
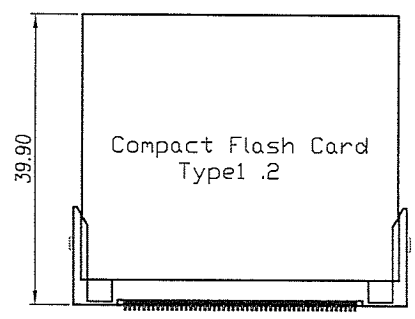


DIMENSION IN mm [Inch]		PROD. SPEC. SP0057	KINGFONT PRECISION INDUSTRIAL CO., LTD.	
TOLERANCE UNLESS OTHERWISE SPECIFIED		PKG. SPEC. PPP-CFC-001	TITLE CF CARD CONN. TYPE2 ,SLIM NORMAL TYPE	CUSTOMER DRAWING
.X±0.30	X'± 1'	APPROVE <i>Ben</i>	FILE NO. KFP-057	DWG NO. CFCMD-75TXXB000
.XX±0.20	.X'± 0.5'	CHECK <i>Evay</i>	SIZE A4	PROJ. SHEET 1 / 2
.XXX±0.10	.XX'± 0.25'	DRAW <i>Long</i>	SCALE 1:1	REV C

1 2 3 4 5 6 7 8

1 2 3 4 5 6 7 8

REV	MODIFICATION	DATE	DRAW
B	EN-03-1019	10/30/2003	TONY
C	EN-06-1212	95/12/20	TERENCE



Ordering Information:

CFC M D - 7 5T XX B 0 0 0

Pin No.

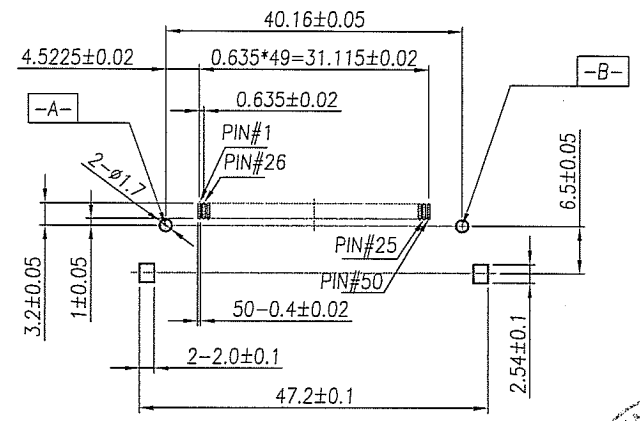
Color: B-Black.

TYPE 2(SLIM)

Contact Area Plating: 15--15U" Gold Plating.

SPECIFICATIONS:

- HOUSING : High Temperature Plastic, UL 94V-0
- CONTACT : Copper Alloys
- VOLTAGE RATING : 100VAC
- CURRENT RATING : 0.5A
- CONTACT RESISTANCE: 40 m Ohm max.
- INSULATION RESISTANCE: 1000M Ohm max.
- DIELECTRIC STRENGTH : 500VAC/1min
- OPERATION TEMPERATURE : -40°C~85°C



P.C.B Layout



DIMENSION IN mm [Inch]		PROD. SPEC. SP0057	KINGFONT PRECISION INDUSTRIAL CO., LTD.	
TOLERANCE UNLESS OTHERWISE SPECIFIED		PKG. SPEC. PPP-CFC-001	TITLE CF CARD CONN. TYPE2 ,SLIM NORMAL TYPE	CUSTOMER DRAWING
.X±0.30	X'± 1'	APPROVE <i>Carroll</i>	FILE NO. KFP-057	DWG NO. CFCMD-75TXXB000
.XX±0.20	X'± 0.5'	CHECK <i>Evan</i>	SIZE A4	PROJ. SHEET 2 / 2
.XXX±0.10	.XX'± 0.25'	DRAW <i>Jerry</i>	SCALE 1:1	REV C

1 2 3 4 5 6 7 8 RQR-51