

180° concealed hinge PROGRAM 1042, 1043

Beschlagteile

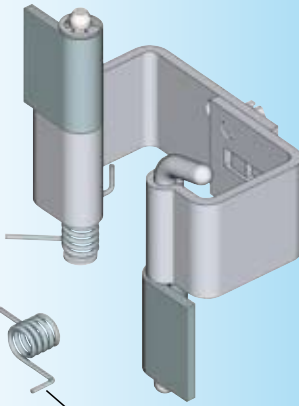
Info

1 Quarter turns

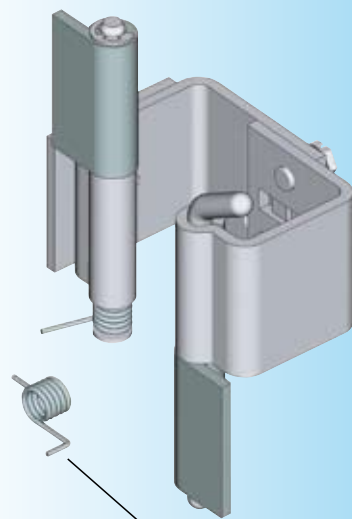
2 Rod controls

3 Locking systems

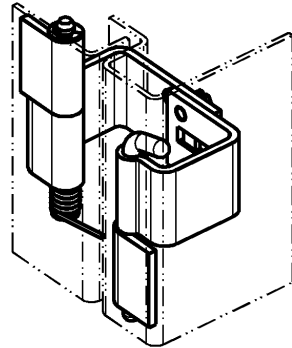
4 Hinges



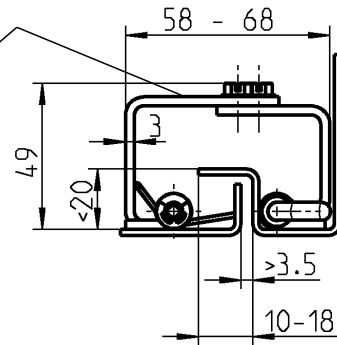
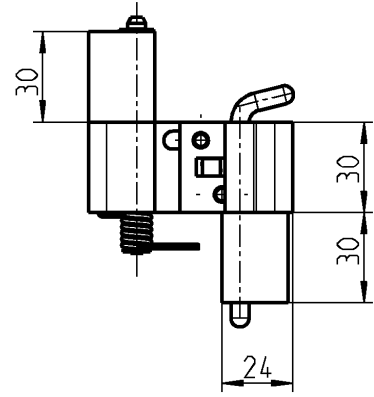
Spring for LH-version



Spring for LH-version

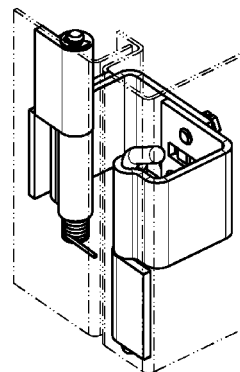


Hinges must be linked

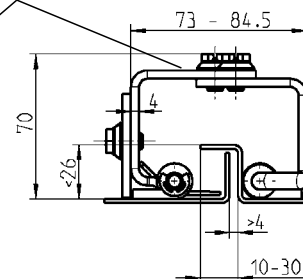
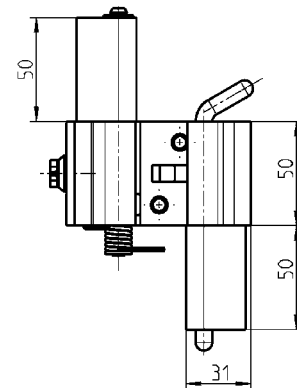


180° concealed hinge m.s. zinc pl., spring material spring steel, weld-on parts m.s.

1042-U1



Hinges must be linked



180° concealed hinge m.s. zinc pl., spring material spring steel, weld-on parts m.s.

1043-U1