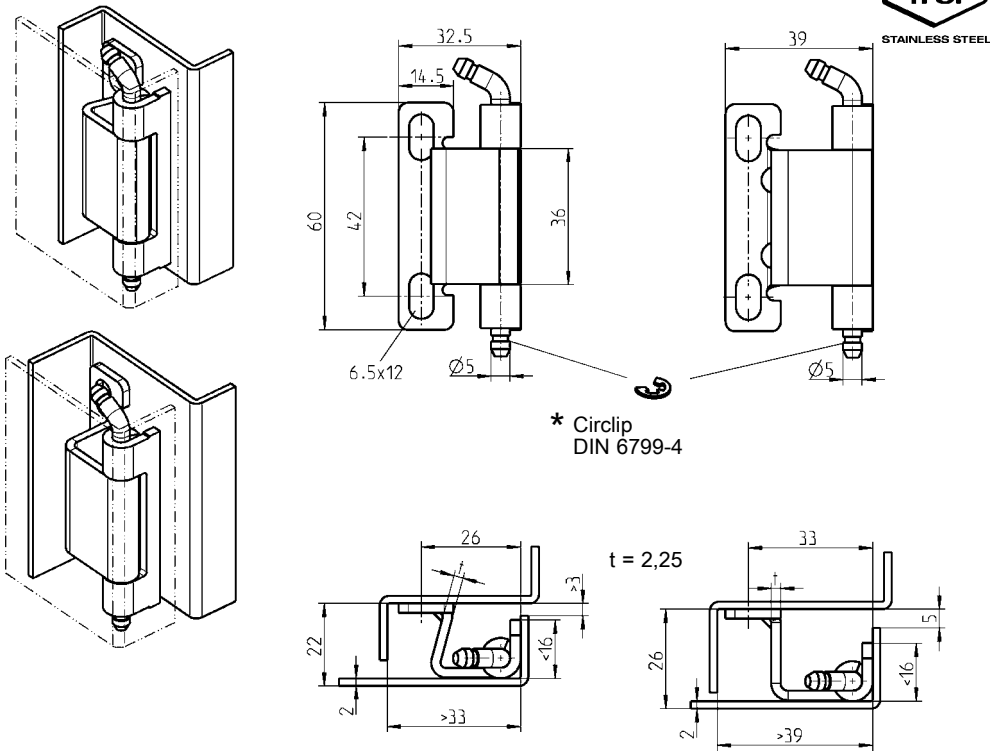


# Hinge stainless steel

## PROGRAM 1032, 1069

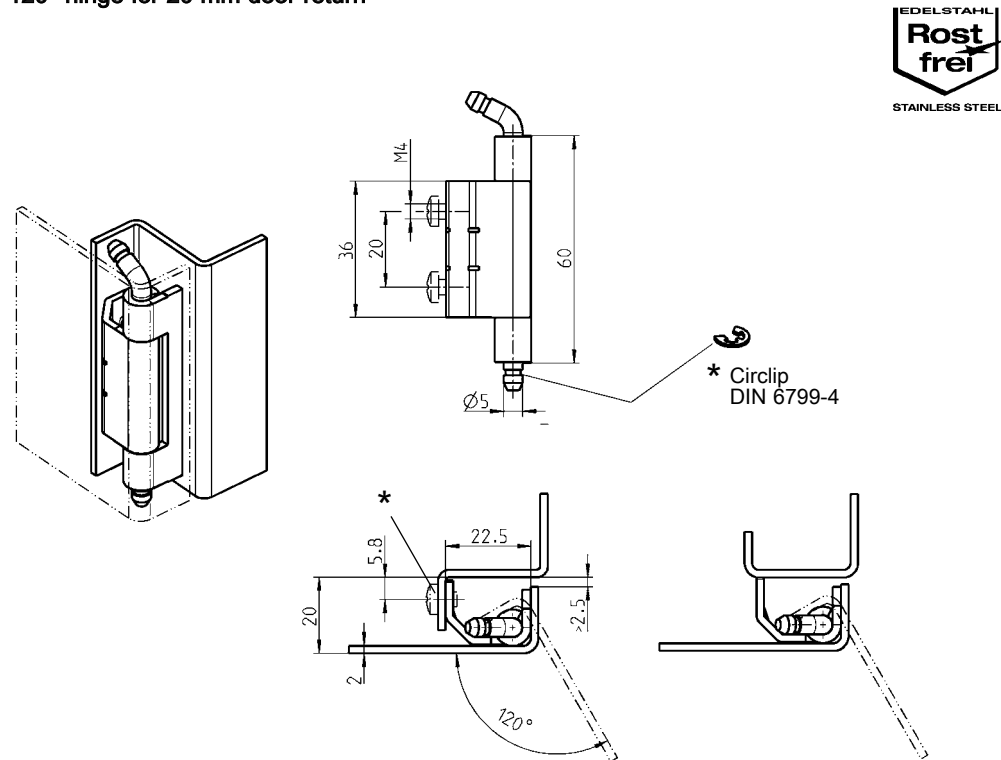
120° hinge for 22 or 26 mm door return



### 120° hinge AISI 304

(Dim. 22)	1032-U2	(Dim. 26)	1031-U2
-----------	---------	-----------	---------

### 120° hinge for 20 mm door return

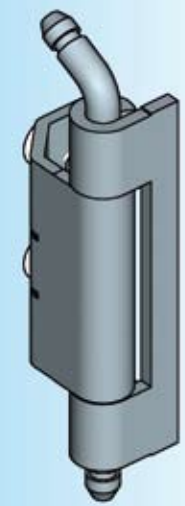
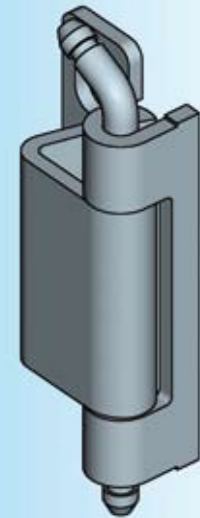


### Hinge AISI 304

Screw-on	1069-U4	weld-on	1069-U3
----------	---------	---------	---------

© EMKA Beschlagteile GmbH & Co. KG • 2016 • www.emka.com

## Beschlagteile



\* not included