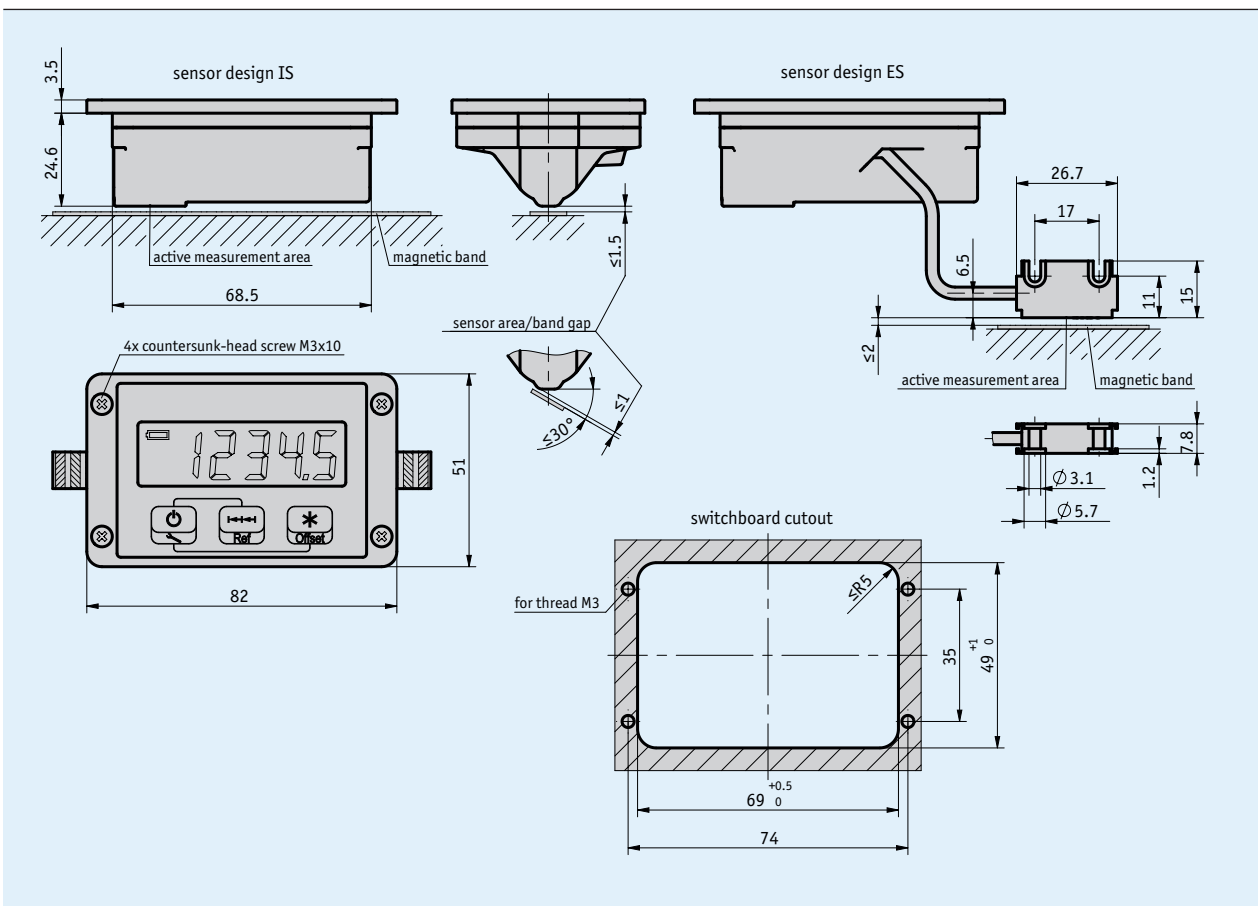


Profile

- Display accuracy max. 0.01 mm
- Repeat accuracy 0.01 mm
- Low-power LCD with integrated sensor
- Supply via integrated battery with up to 10 years of service life
- Freely programmable directly via buttons on the device



Mechanical data

Feature	Technical data	Additional information
Housing design	installation housing, zinc die-cast housing	panel opening 69 ^{+0.5} x 49 ⁺¹
Sensor/band reading distance	≤1.5 mm ≤2 mm	integrated sensor external sensor

Electrical data

Feature	Technical data	Additional information
Operating voltage	3 V DC	internal battery
Battery service life	~4.5 year(s) with 50 % duty cycle	at $T_U = 20\text{ °C}$
Display/display range	LCD, ~ 13 mm high -99999 ... 99999	decimal until 10 μm
Keys	3 keys, membrane keyboard	
Battery monitoring	~1.5 V DC	low-batt symbol

System data


Feature	Technical data	Additional information
Resolution	0.01, 0.05, 0.1, 1 mm 0.001, 0.01 inch	programmable angle display
System accuracy	$\pm(0.05 + 0.01 \times L)$ mm, L in m	at $T_U = 20\text{ °C}$
Repeat accuracy	± 0.01 mm	± 1 digit
Travel speed	≤ 10 m/s	

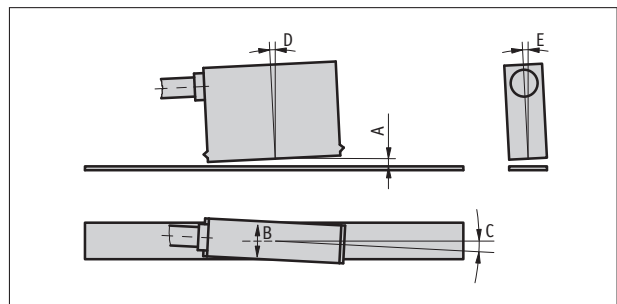
Ambient conditions

Feature	Technical data	Additional information
Ambient temperature	0 ... 60 °C	
Storage temperature	-20 ... 70 °C	
Relative humidity	$\leq 95\%$	condensation inadmissible
EMC	EN 61000-6-2 EN 61326-1	interference resistance / immision emitted interference / emission class B
Protection category	IP20 whole device IP60 display side	EN 60529 EN 60529

Hint for mounting

Sensor design	ES
A, Sensor/tape reading distance	≤ 2 mm
B, Lateral offset	± 2 mm
C, Alignment error	$\pm 3^\circ$
D, Longitudinal inclination	$\pm 1^\circ$
E, Lateral inclination	$\pm 3^\circ$

 *The connection must not be changed (e.g., different cable, cable length ...)*



Symbolic representation

Order

Ordering information

one or more system components are required:

Magnetic band MB500/1

www.siko-global.com

Ordering table

Feature	Ordering data	Specification	Additional information
Sensor design	IS	integrated sensor	
	ES	external sensor	
Sensor design	L	no information required	only for IS sensor design
		L design	only for ES sensor design
Sensor cable length	...	00.1 ... 01.0 m, in intervals of 0.1 m	only with ES sensor design
	...	01.5 ... 05.0 m, in intervals of 0.5 m	only with ES sensor design

Order key

MA508/1 - EG - A - B - C - S - SF-88621

Scope of delivery: MA508/1, Mounting instructions