

METAL
DETECTOR

MD-5700



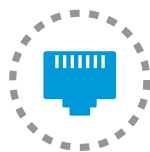
**MULTI
FREQUENCY**



**5.7" COLOUR
TOUCH SCREEN**



RS-232



**ETHERNET
TCP/IP**



**Wi-Fi
OPTIONAL**

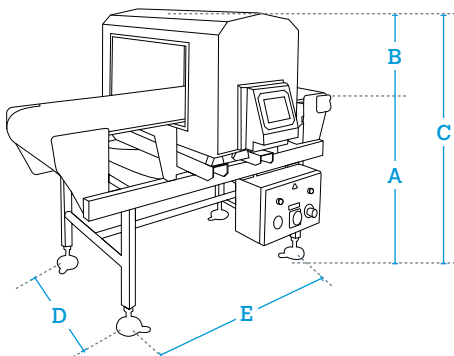


USB



**1,000 PLUs
MEMORY**

DIMENSIONS



DATA IN mm

A	800 - 950 (adjustable legs)
B	293
C	1,093 - 1,243 (A + B)
D	1,030
E	1,338

Measurements for model
MD-5700S 1300/400/500/200.
For other sizes, contact us.

Specifications:

Outstanding functions

- Multi-frequency.
- Variable conveyor belt speed.
- "Auto-setup" with interference suppression and automatic calibration of sensitivity.
- Digital multi-filter: To guarantee maximum stability in harsh environments.
- Auto-balance: Automatic detection and compensation of any signal changes (example: variations in temperature).
- Precise detection area: Exact location of the metal particle in the detection field for easy separation.
- Auto-monitoring: To control the proper working of the equipment.
- Automatic cancellation of product effect, with capacity to measure the product parameters in real time.

- Dynamic self-monitoring (monitoring changes in product characteristics). It guarantees maximum sensitivity in each operation.
- Safety: access protected by three password levels.

Construction

- Structure:
 - AISI 304 stainless steel tunnel.
 - AISI 304 stainless steel frame.
 - IP66 protection (IP69K optional).
 - AISI 304 stainless steel electrical box.
 - Transport conveyor driven by drum motor.
- Belts:
 - Characteristics: Smooth rigid or modular.
- Console:
 - 5.7" colour touch screen (protection cover optional).

Communications to PC

- RS-232.
- Ethernet.
- Wi-Fi optional.
- USB port: To export reports of detection and changes on configuration, as well as for back up.

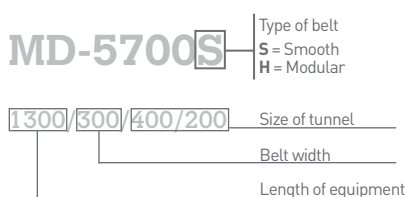
Power supply

- Electrical: 100 - 240 V AC, 50/60 Hz.

Possible integration with other equipment

- Dibal LS-3000, LS-4000 and LS-4000+ automatic weigh-price labellers.
- Dibal CW-3000, CW-4000 and CW-4000+ checkweighers.
- Dibal GW-3000, GW-4000 and GW-4000+ graders.

NAMES OF THE MODELS (EXAMPLE):



MODELS:

MD-5700S

1000/300/350/125

- W300 mm smooth belt.
- Maximum product dimensions:
 - Dry product: W300 x H75 mm.
 - Moist product: W250 x H25 mm.
- Maximum weight on belt: 10 kg.

MD-5700S

1300/300/400/200

- W300 mm smooth belt.
- Maximum product dimensions:
 - Dry product: W300 x H150 mm.
 - Moist product: W300 x H100 mm.
- Maximum weight on belt: 15 kg.

MD-5700S

1500/400/500/300

- W400 mm smooth belt.
- Maximum product dimensions:
 - Dry product: W400 x H250 mm.
 - Moist product: W400 x H200 mm.
- Maximum weight on belt: 15 kg.

MD-5700S

1800/500/600/400

- W500 mm smooth belt.
- Maximum product dimensions:
 - Dry product: W500 x H350 mm.
 - Moist product: W500 x H300 mm.
- Maximum weight on belt: 15 kg.

MD-5700H

2000/500/600/400

- W500 mm modular belt.
- Maximum product dimensions:
 - Dry product: W500 x H300 mm.
 - Moist product: W500 x H300 mm.
- Maximum weight on belt: 50 kg.

Options

Option	Characteristics	Ref.
Other tunnel dimensions	Contact us for dimensions of equipment, product and type of belt available.	Contact us
IP69K protection		Contact us
Light barrier	Necessary for detectors with rejection system.	Contact us
Wi-Fi	Wireless communications.	Contact us
Container fill level detection sensor		Contact us
Complete kit to compliance with BRC standards		Contact us
Set up of equipment		Contact us
Operation from right to left	Standard operation: from left to right.	Contact us
Packed in phytosanitary wood case	Necessary depending on the destination.	Contact us

Accessories



Ref: Contact us

Protection cover for the console



Ref: Contact us

Side guides



Ref: Contact us

4 wheels with brakes

Stud included.



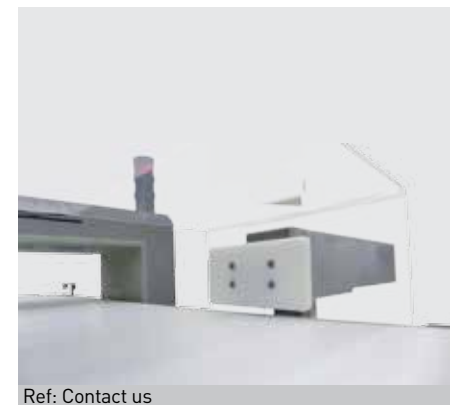
Ref: Contact us

Legs + wheels



Ref: Contact us

24V visual and audible alarm



Ref: Contact us

Rejection by pneumatic piston for products of up to 6 kg

(Contact us for conveyor dimensions).



Ref: Contact us

Rejection by pneumatic piston for products of 6 kg to 25 kg

Only available for modular belt.
(Contact us for dimensions of the belt).



Ref: Contact us

Rejection by rotating blade



Ref: Contact us

Rejection by "Air-jet"



Ref: Contact us

Container for contaminated products



Ref: Contact us

Motorised conveyor

Input/output L1,000 x W280 mm conveyor, with smooth belt.



Ref: Contact us

Rollers conveyor

Rollers conveyor for transporting or accumulating products.



Ref: 49MD0KITEST

Test card kit



Ref: Contact us

Certified test card kit