



Application Software
CETA Soft 2G for free!

Flow Tester CETATEST 915 - for volume flow measurement

The flow tester CETATEST 915 is used to measure the flow using compressed air. The device contains a measurement system consisting of a laminar flow element (LFE) and a differential pressure sensor. In the direct test method the air, provided by the internal pressure regulator, flows through the measuring section before it enters the test part. In the indirect test method the measuring section is located behind the test part. Due to the special design of the measuring section a laminar flow is generated. The resulting pressure difference is directly proportional to the volume flow. With the optional electronic pressure regulator and four calibrations for up to four test pressures the application range is substantially broadened.

Signal processing

Fast 24-bit-A/D-Converter

Sequence controller

Real time microcontroller system,
16-bit μC / 40 MHz

Pressure sensors

Differential pressure sensor,
gauge pressure sensor (test pressure)

Pressure ranges

-1,000 mbar, 150 mbar, 1,000 mbar, 6 bar,
other pressure ranges and electronic
pressure regulator on request

Result units

ml/min, ml/h, l/min, l/h, mbar \cdot l/s

Test modes / test options

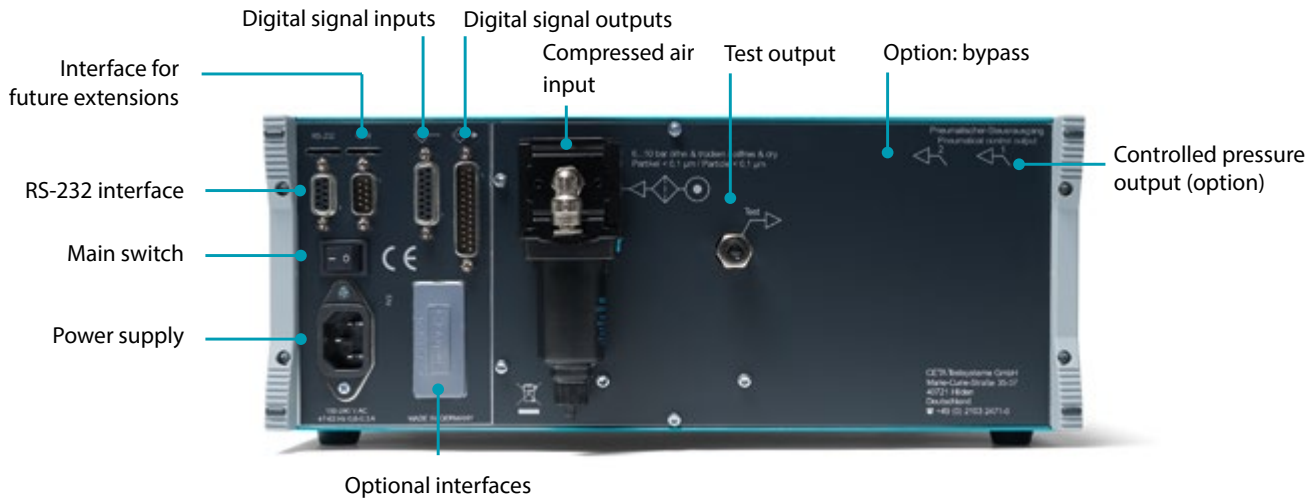
Direct method, indirect method,
exponential extrapolation, bypass

Test phases

Delay, filling, stabilising, measuring,
venting

Measurement ranges of the laminar flow elements

Type of LFE	Flow at positive gauge pressure of 50 mbar in the LFE	Test connections
1 RGK	3 - 250 ml/min	8 x 1 mm fitting
1 RK	4 - 310 ml/min	8 x 1 mm fitting
1 RM	11 - 890 ml/min	8 x 1 mm fitting
1 RG	60 - 2,450 ml/min	8 x 1 mm fitting
2 RG	110 - 5,000 ml/min	8 x 1 mm fitting
3 RG	175 - 7,500 ml/min	8 x 1 mm fitting
5 RG	16 - 750 l/h	8 x 1 mm fitting
8 RG	24 - 1,200 l/h	8 x 1 mm fitting
20 RG	70 - 2,850 ml/min	8 x 1 mm fitting
30 RG	130 - 4,650 l/h	8 x 1 mm fitting
55 RG	3.5 - 140 l/min	10 x 1 mm fitting
80 RG	5.8 - 200 l/min	10 x 1 mm fitting
100 RG	7.5 - 200 l/min	10 x 1 mm fitting
148 RG	10.2 - 200 l/min	10 x 1 mm fitting



Interfaces

Function	Start / Stop / Reset	Programm selection	Device status / system fault	Evaluation (Pass / Fail)	Parameterization	Measurement results	Detailed fault messages
Digital I/O (standard)	■	■	■	■			
RS-232 (standard)	■	■	■	■	■	■	■
Profibus DP (option)	■	■	■	■	■	■	■
Profinet (option)	■	■	■	■	■	■	■
Ethernet (option)	■	■	■	■	■	■	■
EtherCAT (option)	■	■	■	■	■	■	■

Further interfaces on request. The optional RS-232 protocol converter enables the exchange of a CETA 900 that communicates via RS-232, against a CETATEST 915.

Test mode specific limits

Filling pressure, test part specific reject and rework levels

Handling

Intuitive menus, password protected user levels

Parameter memory

64 individually parameterizable test programs with alpha-numeric program names, parameters of the test programs can be exported resp. imported via the test device interfaces or by usage of a USB storage device.

Further functions

Result statistics, indicator for service intervals, recording of parameter change, recording of measurement curves and measurement series, Dynamic Link Library (DLL) for RS-232 interface programming

Power supply and power consumption

100 – 240 V AC, 47 – 63 Hz, 0,6 – 0,3 A, depending on stage of expansion max. 60 W

Compressed air supply

1.0 bar above test pressure resp. 50 mbar under evacuation pressure (ISO 8573-1:2010 [1:4:1])

Pneumatic connections

Input (compressed air supply): 6 mm plug-in fitting
 Port for test part: depending on the LFE used
 Pneumatically controlled and individually adaptable outputs (option)

Special calibration

Flow calibrations for up to four test pressures optional

Dimensions and weight

W x H x D:
 345 mm x 145 mm (3U) x 435 mm
 Weight: appr. 10kg

Included in delivery

Special packaging, power cord, documentation and PC-software on CD, calibration certificate, declaration of conformity, D-Sub-plug including cable for inputs and outputs (PLC-communication), spare sealing caps and spare caps for union nuts coupling or spare clamp rings

Warranty

3 years in case of yearly maintenance, optional prolongation to 5 years

Accessories (optional)

Filter combination, master jet, leak tight 3/2-way valve, RS-232 / Ethernet-adaptor, control- and evaluation software, application software CETA Soft 2G, scanner interface, more in the CETA accessories catalogue

